

**OWNER'S/  
OPERATOR'S  
MANUAL**

**MODEL NO.'s**

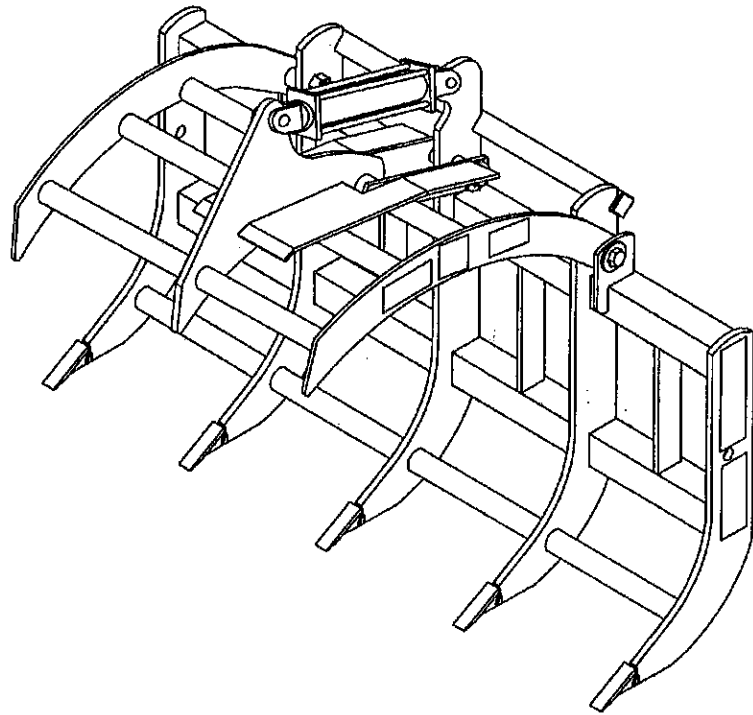
**FLGR-4062**

**FLGR-4062S**

**⚠ CAUTION**

For Safe Operation  
Read Rules And  
Instructions Carefully

SINO LEEINGLES, PIDA AYUDA  
A AIGUIEN QUE SI LO LEA  
PARA QUE LE TRADUZCA LAS  
MEDIDAS DE SEGURIDAD.



**Grapple Rake  
for Compact Tractor  
Front Loaders**

**Safety Instructions  
Tractor Preparation  
Operating Instructions**

**Assembly & Mounting  
Maintenance  
Repair Parts**

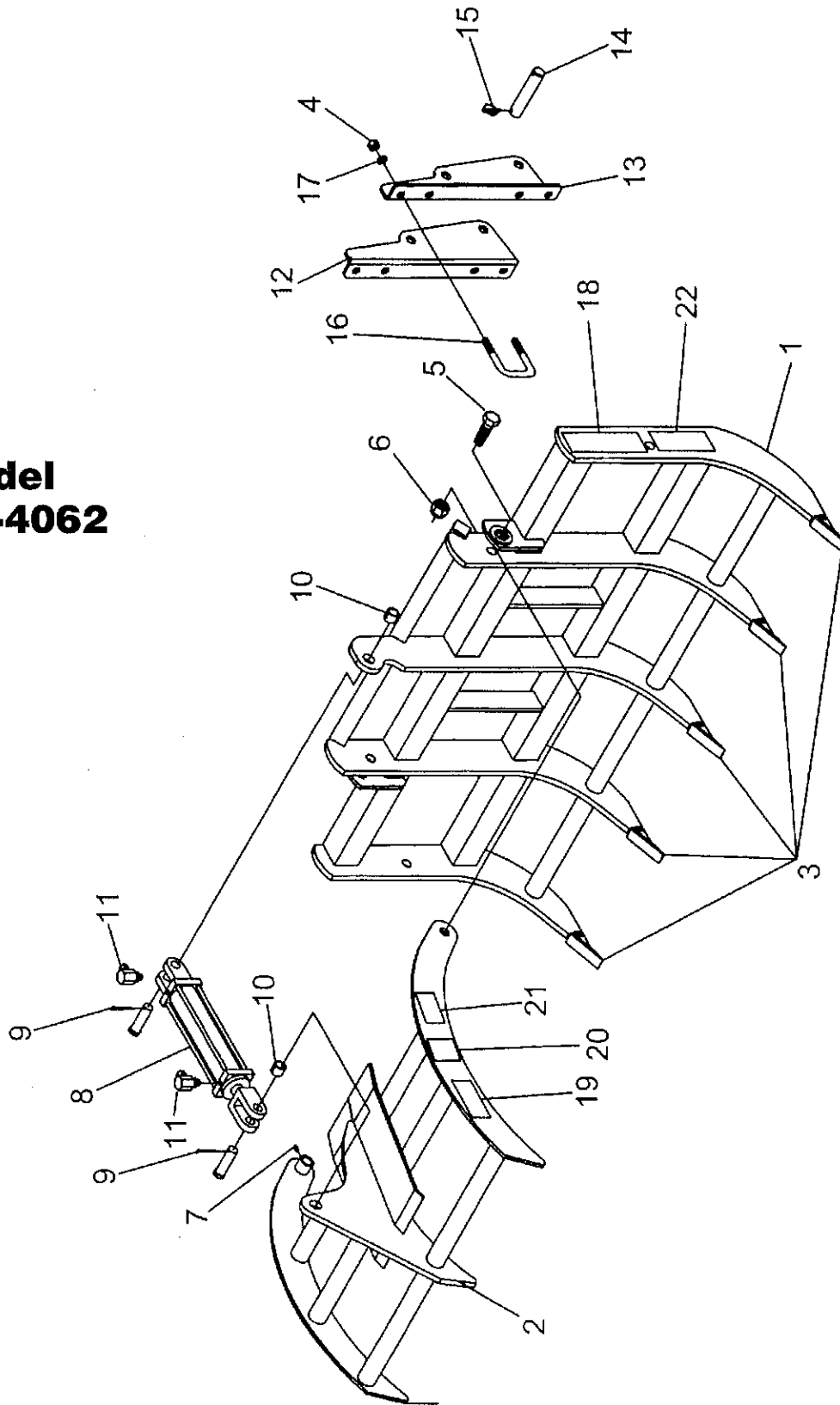
**⚠ CAUTION ⚠**

**THE FOLLOWING SAFETY PRECAUTIONS SHOULD BE THOROUGHLY UNDERSTOOD  
BEFORE ATTEMPTING TO BEGIN ASSEMBLING THIS MACHINE**

1. Select an area for assembly that is clean and free of any debris which might cause persons working on the assembly to trip.
2. Do not lift heavy parts or assemblies. Use crane, jack, tackle, fork trucks or other mechanical devices.
3. Preview the assembly instructions in your operator's manual before proceeding further.
4. If the assembly instructions call for parts or assemblies to be blocked up, use only blocking material that is in good condition and is capable of handling the weight of the assembly to be blocked. Also insure that the blocking material is on a clean, dry surface.
5. Never put hands, or any part of body, under blocked up assemblies if at all possible.
6. After completing assembly, thoroughly inspect the machine to be sure that all nuts, bolts, hydraulic fittings or any other fastened assemblies have been thoroughly tightened.
7. Before operating the machine, thoroughly read the operation section of your operator's manual.
8. Before operating, read the maintenance section of your operator's manual to be sure that any parts requiring lubrication, such as gearboxes, are full, to avoid any possible damage.
9. **Before operating equipment – If you have any questions regarding the proper assembly or operation, contact your dealer or representative.**

# COMPACT TRACTOR FRONT LOADER GRAPPLE PARTS DRAWING

**Model  
FLGR-4062**



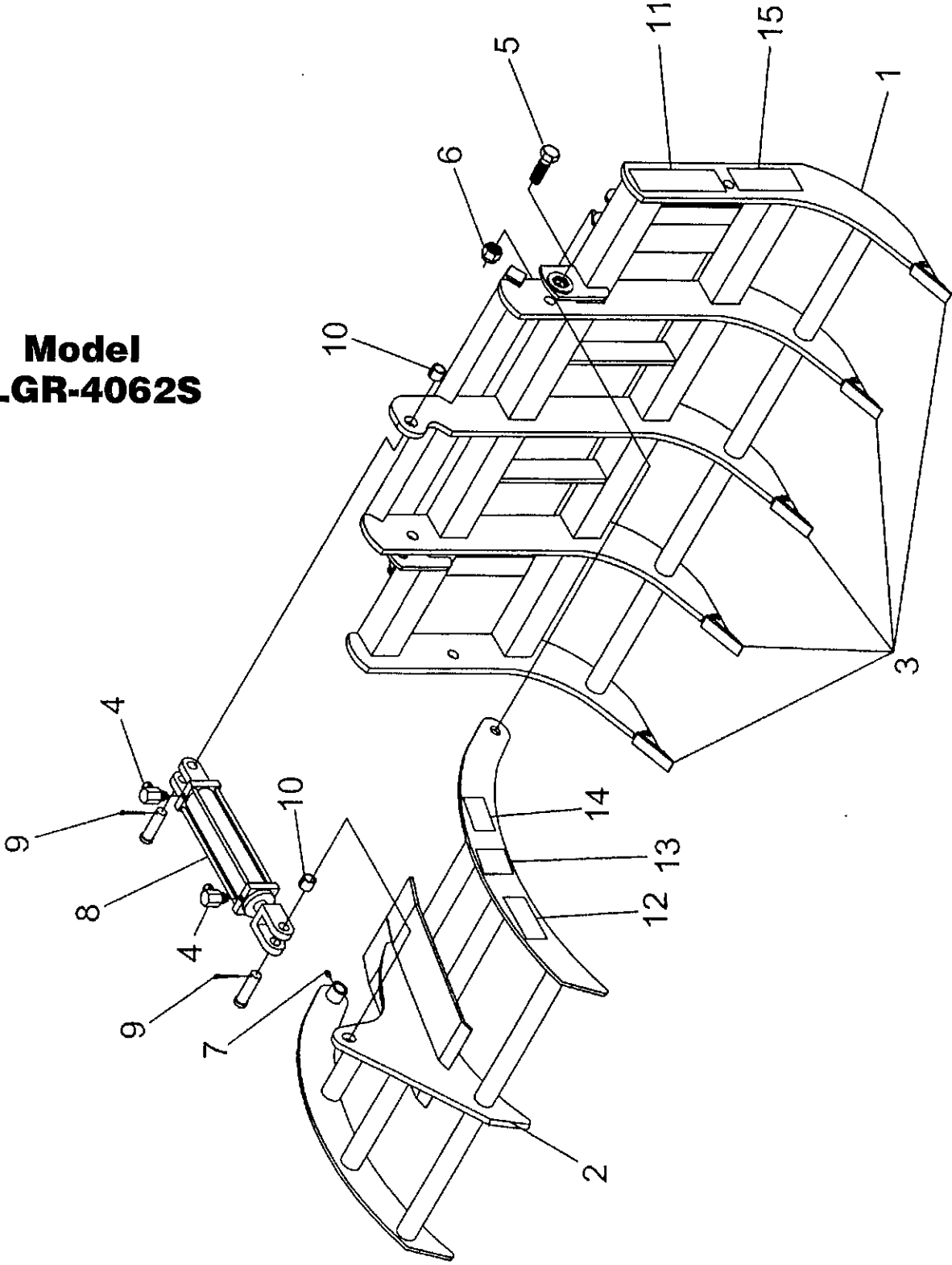
# COMPACT TRACTOR FRONT LOADER GRAPPLE PARTS LIST

## Model FLGR-4062

Ref. No.	Part No.	Description	No. Req'd.
1	811461	Main Frame Weldment (FLGR-4062)	1
2	811471	Clamp Arm Weldment	1
3	341338	Point, Replaceable Grapple (Weld-On)	5
4	2500013	Nut 5/8"-11NC Full Hex	16
5	2503309	Bolt, Hex 1"-8NC x 4" Gr.5	2
6	2500045	Nut, 1"-8NC Hex Nylock	2
7	2504049	Zerk, Drive 5/16"	2
8	2504230	Cylinder, Hydraulic 2 x 8 ARH	1
9	2504007	Pin,Cotter 3/16" x 1 3/4"	2
10	2505035	Spring Bushing 1.25 x 1 x 1	2
11	2505609	Hyd. Adapter 90° 3/4-16 ORB/ F 1/4-18 NPSM	2
12	811236	Bracket, RH Lift (1"Holes)	2
13	811237	Bracket, LH Lift (1"Holes)	2
14	811238	Lift Pin Ø1" x 6"	4
15	590034	Linch Pin 1/4" (AK-61)	8
16	830214	U-Bolt 5/8"-11NC 3" x 4 1/2"	8
17	2502007	Washer 5/8" Springlock	16
18	101026	Safety Sign - Caution (Instructions)	1
19	101027	Safety Sign - Warning (Stand Clear)	2
20	101122	Safety Sign - Warning (Hi-Pressure)	1
21	101204	Safety Sign - Notice (Grapples)	1
22	101129	Safety Sign - Warning (Grapples)	1

**COMPACT TRACTOR  
FRONT LOADER GRAPPLE PARTS DRAWING  
with SS Quick-Attach**

**Model  
FLGR-4062S**

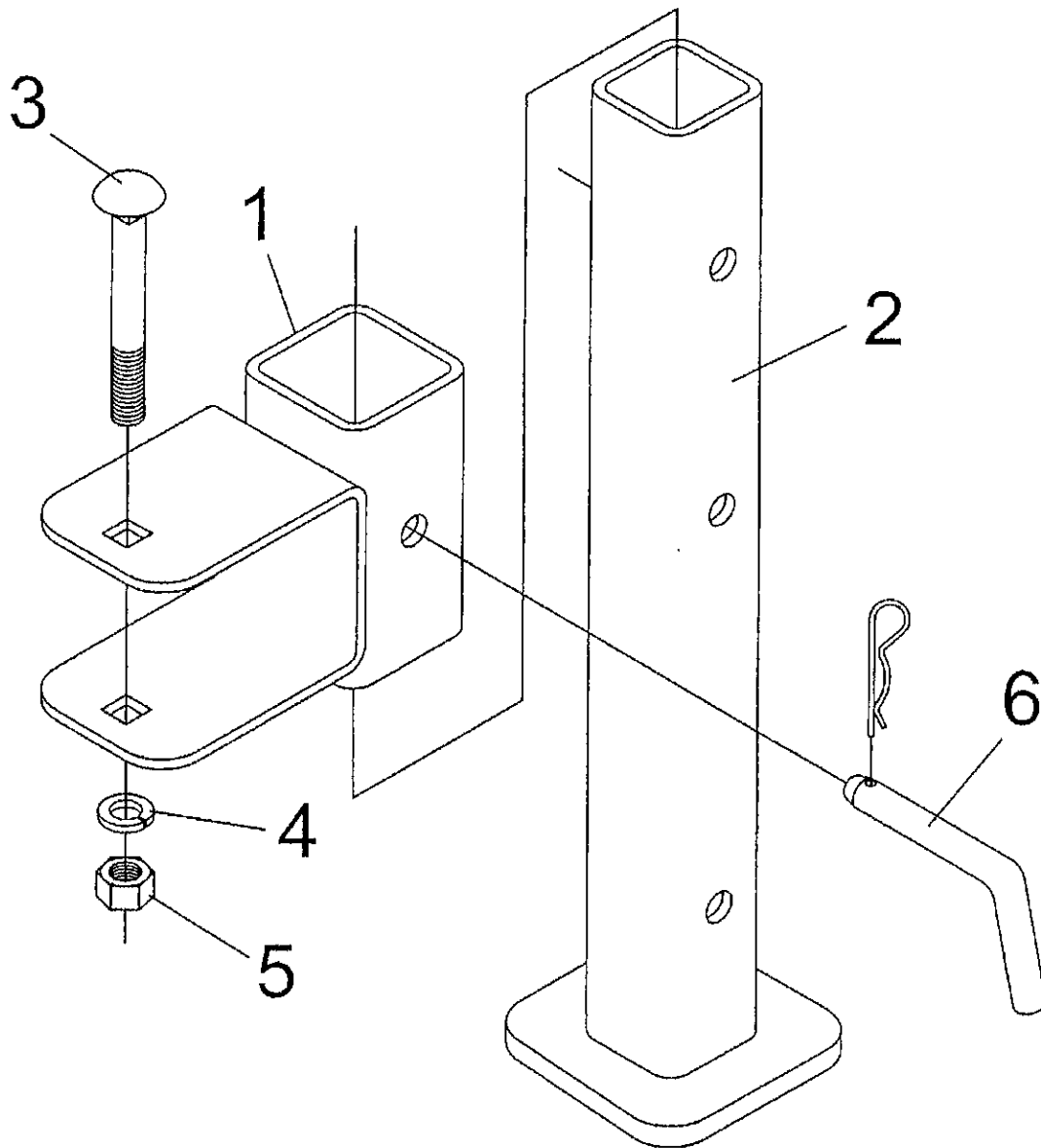


**COMPACT TRACTOR  
FRONT LOADER GRAPPLE PARTS LIST  
with SS Quick-Attach**

**Model FLGR-4062S**

Ref. No.	Part No.	Description	No. Req'd.
1	811481	Main Frame Weldment (FLGR-4062S)	1
2	811471	Clamp Arm Weldment	1
3	341338	Point, Replaceable Grapple (Weld-On)	5
4	2505609	Hyd. Adapter 90° 3/4-16 ORB/ F 1/4-18 NPSM	2
5	2503309	Bolt, Hex 1"-8NC x 4" Gr.5	2
6	2500045	Nut, 1"-8NC Hex Nylock	2
7	2504049	Zerk, Drive 5/16"	2
8	2504230	Cylinder, Hydraulic 2 x 8 ARH	1
9	2504007	Pin, Cotter 3/16" x 1 3/4"	2
10	2505035	Spring Bushing 1.25 x 1 x 1	2
11	101026	Safety Sign - Caution (Instructions)	1
12	101027	Safety Sign - Warning (Stand Clear)	2
13	101122	Safety Sign - Warning (Hi-Pressure)	1
14	101204	Safety Sign - Notice (Grapples)	1
15	101129	Safety Sign - Warning (Grapples)	1

## OPTIONAL STAND KIT (#811395)



Ref. No.	Part No.	Description	No. Req'd.
1	811396	Stand Bracket Weldment	2
2	811398	Stand Tube Weldment	2
3	2503160	Bolt 1/2"-13NC x 4" Carriage Head Gr. 2	2
4	2502002	Washer 1/2" Springlock	2
5	2500003	Nut 1/2"-13NC Full Hex	2
6	343180	Shift Pin w/Clip 1/2" x 3"	2